



- Very Small Size
- Easy Mounting
- High Resolution Up to 0,001 mm Resolution
- High Accuracy
- Spiral or Cable Option
- Measuring Lengths Up to 100 m
- Resistant to Humidity
- Sturdy Metal Case
- Protection Class IP67

MLS 130 magnetic reader sensors, can be mount even in the most cramped spaces with very small size.

In standard orders, there will be 30 cm cable, a male socket (soldered to cable) and a female socket.

Optionally, a length-defined cable can be solder to the female socket. Another socket can be solder to end of the length-defined cable.

MLS 130 magnetic reader sensors can be use for lots of applications: milling, lathe, bohrwerk, drilling, grinding, marble machines, welding machines, bending machines, robotics, pvc cutting machines, wood cutting machines, electrical discharge machines, etc...

Technical Specifications

Resolution	1µm, 5µm, 10µm, 25µm, 50µm, 62.5µm, 80µm, 100µm (or on request)
Output Signal Type	Push-Pull or TTL RS422 Line Driver
Output Signals	A, /A, B, /B, Z, /Z
Current	Maximum 40 mA per Channel
Power Supply	10..30 VDC or 5 VDC
Housing Material	Aluminum
Gap Between Tape and Sensor	0,1 mm to 2 mm
Travel Velocity	3 m/s
Repeatability	± 1 Pulse
Operating Temperature Range	-25 to +85°
Protection Class	IP67

Standard Order



Optional Order *



* The cable is soldered to the female socket. Another socket can be soldered to the end of cable.

Order Specifications

Model

MLS130

XX

Magnetic Tape

B5
B2

Resolution

01 : 1µm | 05 : 5µm
10 : 10µm | 25 : 25µm
62 : 62,5µm | 80 : 80µm
100: 100µm

XX

Signal Output Type

2 : A, B | 3 : A, B, Z
4 : A, /A, B, /B | 6 : A, /A, B, /B, Z, /Z
Optional: One Reference Z Signal

XX

Power Supply and Output

TTL : 5VDC ± %5 Power Supply,
5 VDC TTL RS422 Line Driver Output
PP : 24 VDC ± %20 Power Supply,
24 VDC Push-Pull Output
HTL : 24 VDC ± %20 Power Supply,
5 VDC TTL RS422 Line Driver Output

XXX

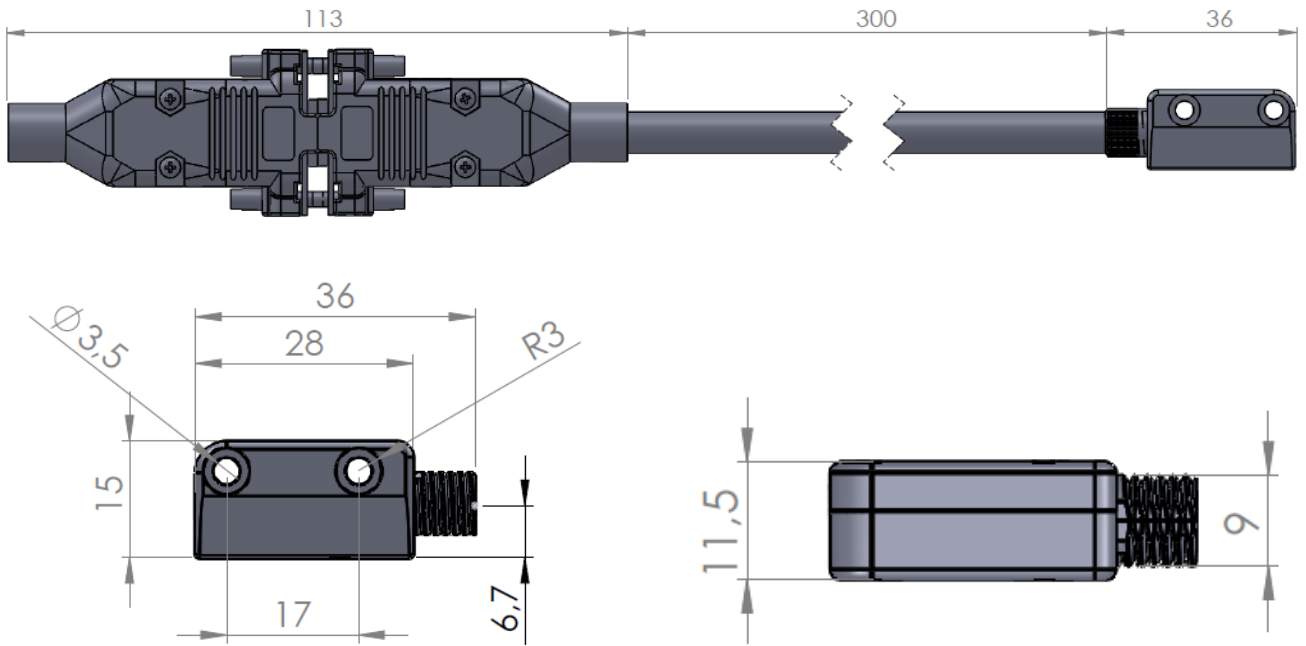
X

Cable Type

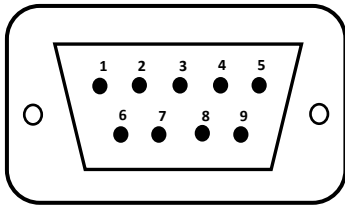
C : Pure Cable
S : Shielded Spiral



Mechanical Dimension



Pin Connections



Pin Number	Cable Colour	Signal
1	Yellow	A
2	White	/B
3	Red	POWER SUPPLY
4	Black	0 V
5	Blue	/A
6	Green	B
7	Grey	/Z
8	Pink	Z
9	Shield	GROUND

MLS 130 + B Series Magnetic Tape



MLS 130 + PS2 Slim Profile



Atek Sensor Technology A.S.



Tuzla Kimya Sanayicileri Org. San. Bolg. Melek Aras Bulvari, No:67 34956 Tuzla - Istanbul / TURKEY

Tel: +90 216 399 44 04

Fax: +90 216 399 44 02

www.ateksensor.com

info@ateksensor.com